

KOOL STRIDE®

SENIOR AND PARAMOUNT

JOGGING STROLLER FOR CHILDREN

Model No. KS-S (Steel Wheel) Senior

Model No. KS-SA (Alloy Wheel) Senior

Model No. KS-SABK Paramount

OWNERS MANUAL AND ASSEMBLY INSTRUCTIONS

Please read & save all instructions contained in this booklet.

Examine all carton contents and wrappings carefully before assembly.

READY, SET...GO!™

Family fun is yours in a snap with your new, snug, sturdy and smooth-riding jogging stroller for children by KOOL-STOP INTERNATIONAL INC. Your Jogging Stroller is loaded with superior comfort and safety features, assembles for action in a few easy steps and folds down into a lightweight, portable package for toting.

Your New KOOL-STRIDE® Jogging Stroller includes these features:

- Folds down, assembles quickly and easily in 1-2 minutes.
- Innovative 5-point harness, fully adjustable for toddler and up.
- Unique zip seat (upright or reclining) offers versatile comfort for your child.
- Included sunshade protects your child from heat, rain and UV rays and a PEEK-A-BOO window.
- Two parking brake systems insure stroller will stay where you park it.
- Hand brake gives you more control over stopping or slowing down.
- Cantilevered wheels provide increased stability and tracking.
- Quick-release hubs.
- No tools needed for assembly.

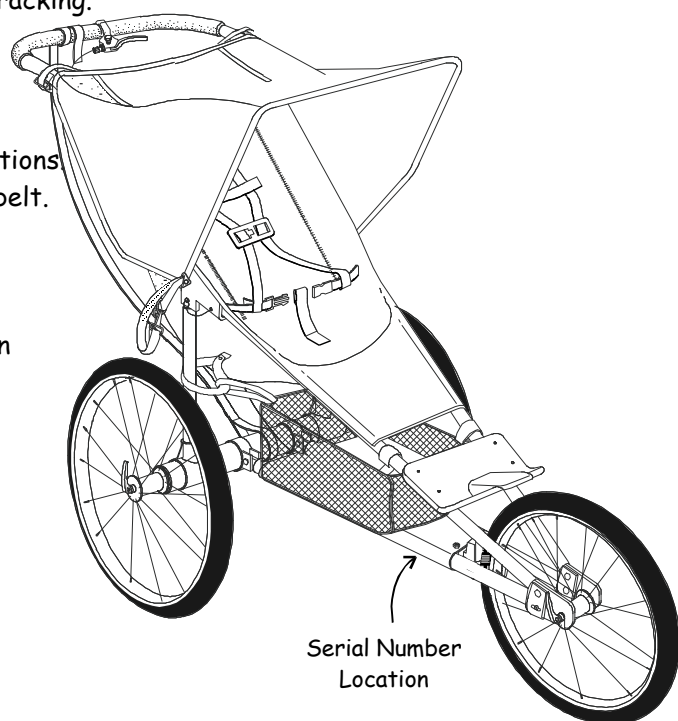
THINK SAFE AND BE SAFE!

- Avoid city streets, heavy traffic and dangerous situations.
- Be sure passenger is properly secured with the seat belt.
- Never allow horseplay or standing up in the stroller.
- Always use the wrist retention strap.
- Never roller-skate while pushing your stroller.
- Never leave your child unattended in the stroller even when parking brakes are engaged.

KOOL-STRIDE® ACCESSORIES

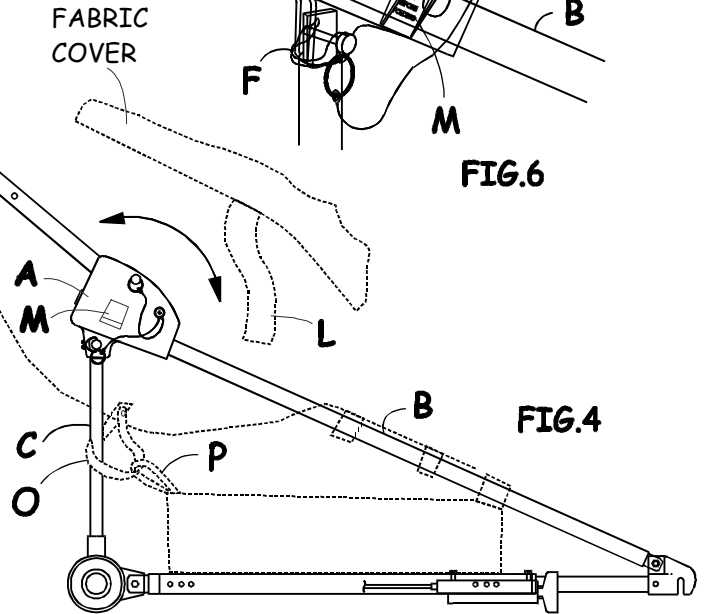
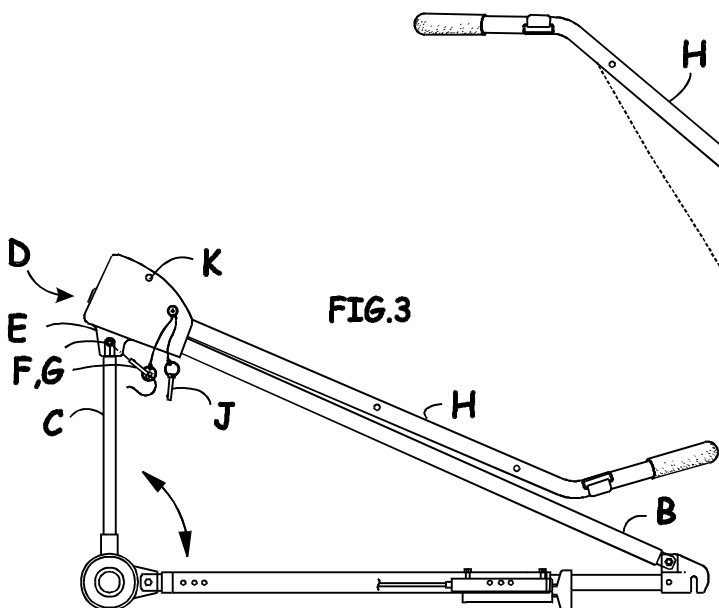
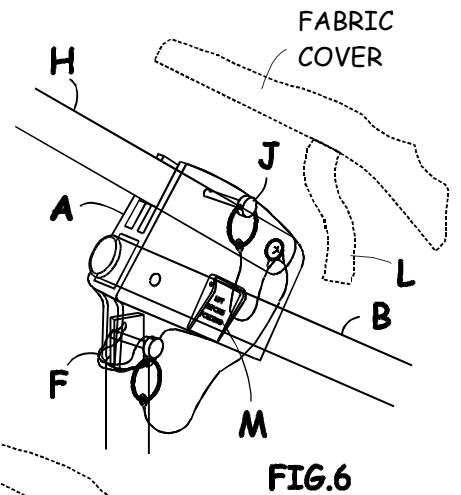
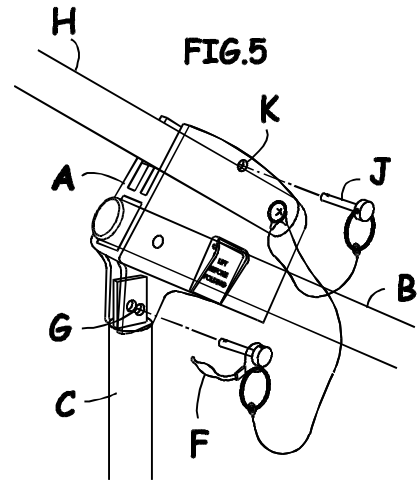
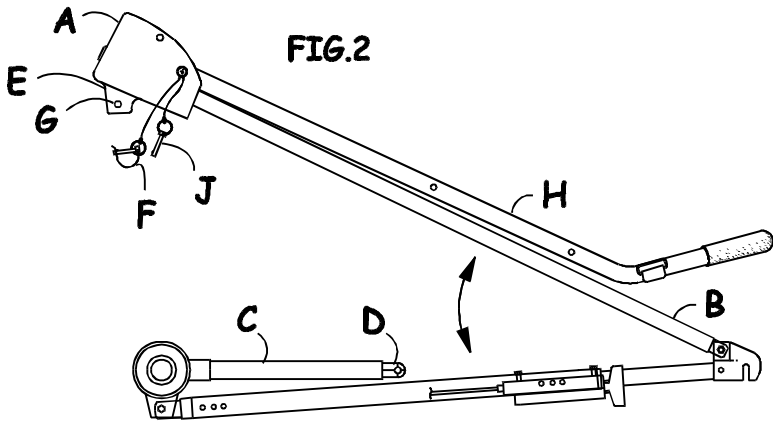
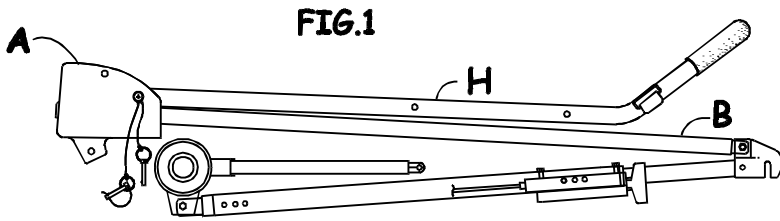
To see the latest accessories available for your jogging stroller, please visit our web site at:
<http://www.koolstop.com>

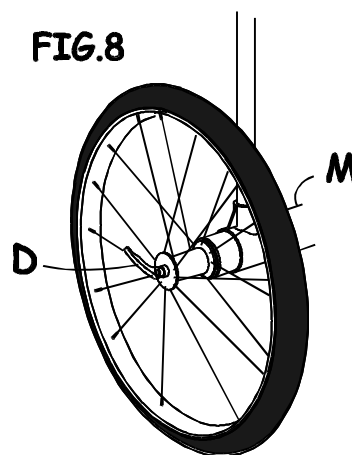
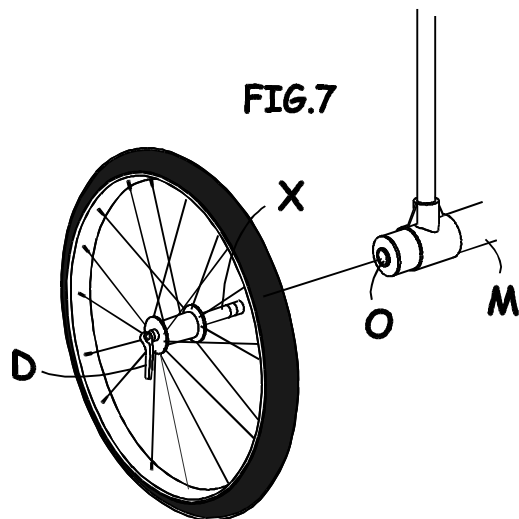
KOOL-STRIDE® all terrain strollers are Patented and protected by the following U.S. and foreign patent numbers:
D419,133 D382,234 D371,094 D418,780
5,536,033 5,695,212 5,934,754 4,953,880



Assembly Instructions (Fabric not shown for clarity)

- Remove from carton and set wheels aside.
- Lay stroller on a flat surface, as shown in FIG. 1.
- Lift handlebar hinge **A** and rotate tube **B**, as shown in FIG. 2.
- Rotate upright tubes **C**, as shown in FIG. 3.
- Insert eye ends **D** into slots in bottom of hinges **E**, as shown in FIG. 2 & 3.
- Insert snapper pins **F** into holes **G** and secure with wire loop, as shown in FIG. 5 & 6.
- Rotate handlebar **H** upward to position shown in FIG. 4.
- Insert ball pins **J** into holes **K** as shown in FIG. 5 & 6.
- **IMPORTANT:** Pull strap **L** through cam lever **M** and lock down so that seat fabric covers the top of the hinge **A** and ball pin **J**.





SECURING THE QUICK RELEASE (Q/R) REAR WHEELS- FIG.7 & 8

- Insert the wheel axle **X** into the side opening **O** of the main frame **M**.
- Clamp down the Q/R lever down by moving the lever **D** 180 degrees to secure the wheel in place. The Q/R handle should face to the rear and parallel to the ground. This will prevent the Q/R lever from snagging a stationary object.

See page 4 for special instruction on adjusting the rear wheel Q/R tension.

NOTE:

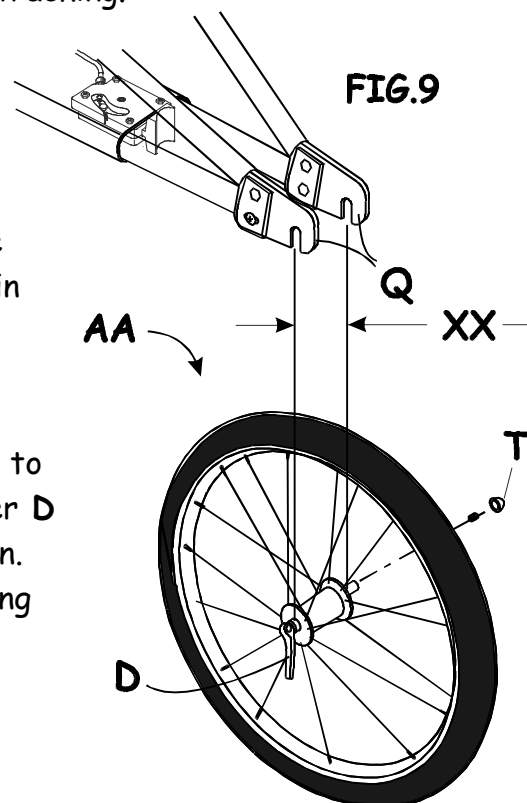
Rear wheels have a 5 degree camber for better stability and tracking.

SECURING THE FRONT WHEEL (FIG.9)

- Insert the wheel axle **XX** into both fork ends **Q**.
- Clamp down the wheel axle to the fork ends by moving the clamping lever **D** 180 degrees inward to secure the wheel in place.

ADJUSTING FRONT WHEEL Q/R AXLE

You may need to adjust the clamping tension on the wheel **AA** to secure it in place. Hold adjusting nut **T** and turn clamping lever **D** clockwise a few turns and clamp lever **D** down to check tension. Repeat if necessary or back tension off by reversing tensioning procedure.



ADJUSTING THE REAR Q/R AXLE

- Now and then it is necessary to adjust the axle so that it clamps down correctly. Simply hold the small nyloc nut **L** with a 8mm wrench (provided) **P** or a pair of needle nose pliers and turn the cam lever **Q** on the opposite end of the skewer until the swedge cap and the shank begin to spread the split ring **J**. Be sure to have the cam lever **Q** in the closed position while turning it. (This will be the position it is shown in FIG. 10).

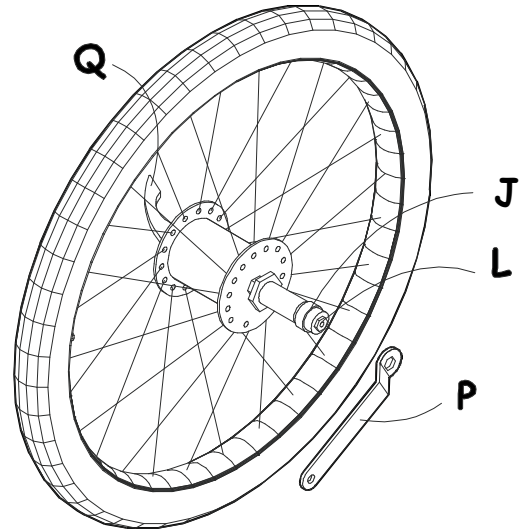


FIG. 10

- 1) Insert the wheel axle and wheel assembly into the hole on the axle end with the cam lever open.
 - 1a) Close the cam lever (you should feel some resistance) then pull on the wheel with a fair amount of pressure (pull it hard) . If the wheel does not pull out then you are done.
 - 1b) If the wheel pulls out even a little, you need to further adjust the tension of the skewer. To do this, remove the wheel and proceed as follows:
 - Hold the Nyloc nut with the pliers or socket wrench **P**.
 - Turn the cam lever clockwise 1/2 to 1 turn.
 - Retry the "fit of the wheel process" .

FORK TIP ADJUSTMENT (FIG.11 & 12)

The fork tip adjustment is preset from factory. However, if you notice the front wheel is not tracking correctly in position, you may need to adjust the front wheel for correct alignment. To adjust the front wheel alignment in linear position, loosen the screw **S** on the fork tip **K**, and manually move the wheel to the desired position. You may need to roll the stroller back and forth to test the new setting. Tighten the adjustment screws when wheel is aligned.

NOTE:

To achieve proper wheel alignment, you may need to test roll the stroller several times.

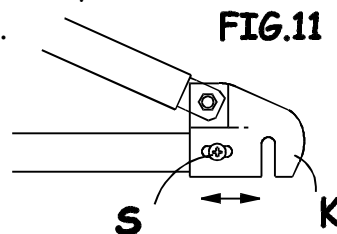


FIG.11

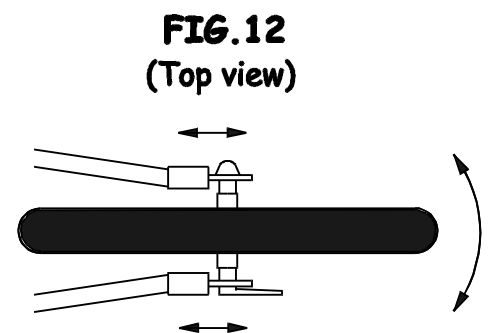


FIG.12
(Top view)

SECURE SUN SHADE TO THE FRAME (FIG. 13 & 14)

- Position top of sun shade at top of seat, as shown in FIG. 13
- Secure sun shade to frame with Velcro® **V**.

Note:

The sun shade can be rotated back against the handle bar. The canopy is provided to protect toddlers from the elements. If it gets in the way of larger children it can be removed. To remove the canopy, use a phillips screw driver to remove canopy screws, ratchets, & frame from pivot points.

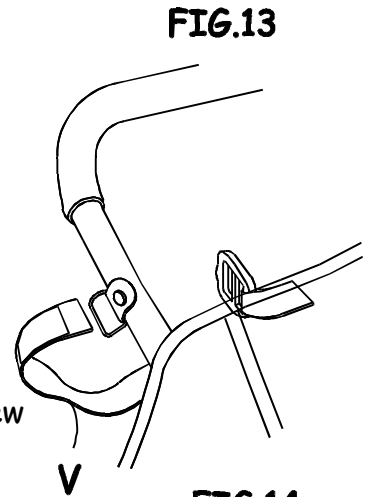


FIG.13

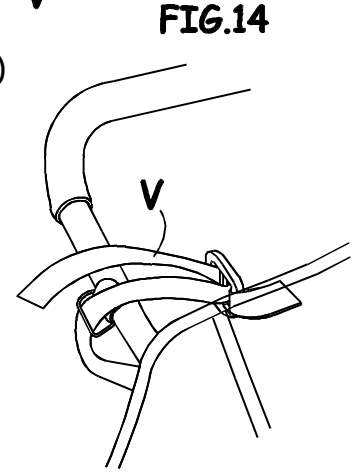


FIG.14

ALWAYS USE THE KOOL-STRIDE® 5 POINT SEAT HARNESS (FIG. 15)

- Zip back of seat to be upright, or reclined
- Seat child in a comfortable position
- Thread lap buckle **DD** thru strap loops **EE** as shown in FIG. 15 and snap it closed.
- Thread seat belt **EE** with buckle **DD** thru crotch strap **BB**. Snap the buckles together and adjust the seat belt **BB** tension.
- Cinch shoulder strap **GG** until child is securely fastened in the seat.

Note:

Depending on the size of the child the shoulder straps **GG** can be lowered by going under the straps **FF** as shown or raised by going over the lower strap **FF**. Use clip **CC** to keep the shoulder straps **EE** in place.

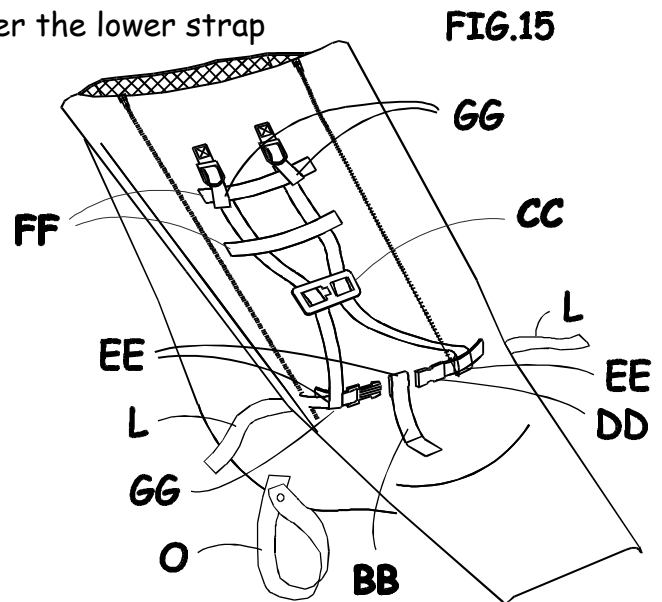


FIG.15

PARKING BRAKE (FIG. 16 & 17)

The caliper/parking brake **AA** comes from the factory pre-adjusted. In period of time after many brakes, the brake cable will stretch a little. To re-adjust the brake, turn the knurled adjusting barrel **BR** counter clockwise and loosen the cable anchor bolt **BT**. Adjust the cable by pulling the cable wire **W** and fasten the anchoring bolt **BT**. Tighten the adjusting barrel **BR** as well.

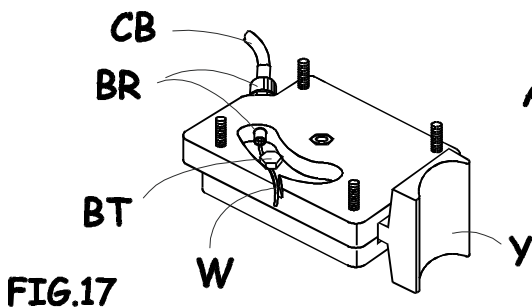


FIG.17

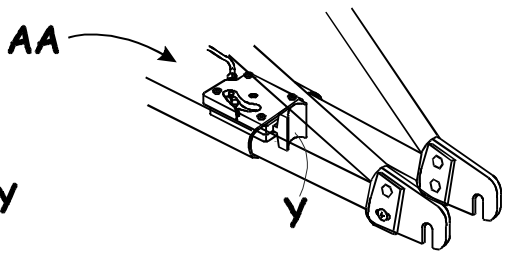


FIG.16

FIG.18**PARKING BRAKE OPERATION (FIG. 18 & 19)**

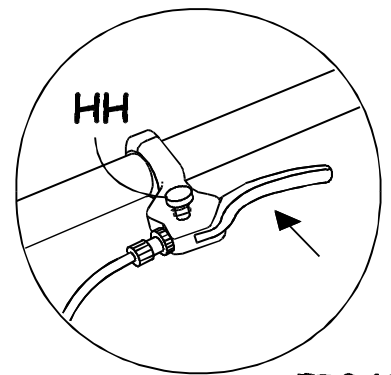
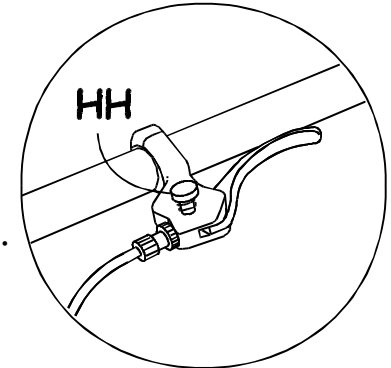
Your KOOL-STRIDE® is equipped with two parking brakes. The brake lever on the handle can be used manually to slow the stroller down while jogging. The brake lever on the handle is also equipped with a locking mechanism that acts as a parking brake.

To lock the brake in the parking position, as shown in FIG. 18.

Hold the brake handle down to apply the brake.

Hold the locking button **HH** down while releasing the handle.

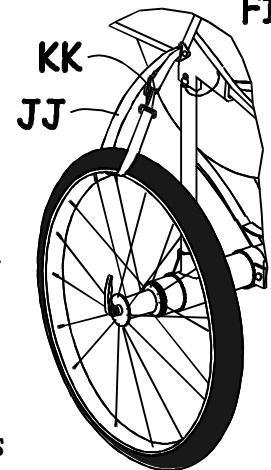
To release the parking brake. Depress the brake handle, and the locking button will release itself.

**FIG.19****CAUTION:**

NEVER LEAVE YOUR CHILD UNATTENDED IN THE STROLLER EVEN WHEN PARKING BRAKES ARE ENGAGED.

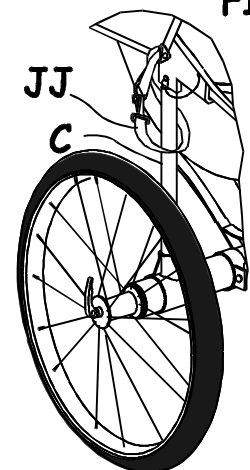
ALWAYS USE THE REAR WHEEL RETENTION STRAP.**Secondary parking brake**

- A secondary parking brake is strap **JJ** located on the side of the stroller to prevent the wheel from rolling.
- Thread strap **JJ** through the spokes and wrap it around the wheel.
- Secure clip **KK** as shown in FIG. 20.

FIG.20**WARNING!**

Always clip strap **JJ** around upright tube **C**, as shown in Figure 21 when not in use. The strap can get tangled in the spokes and may damage the wheel.

While both parking brake systems are made of quality materials and will hold the KOOL-STRIDE® steady in the parking position, you should always exercise caution when putting a child in the stroller. Don't attempt to put a child in the stroller (or expect the stroller to hold) on a hill.

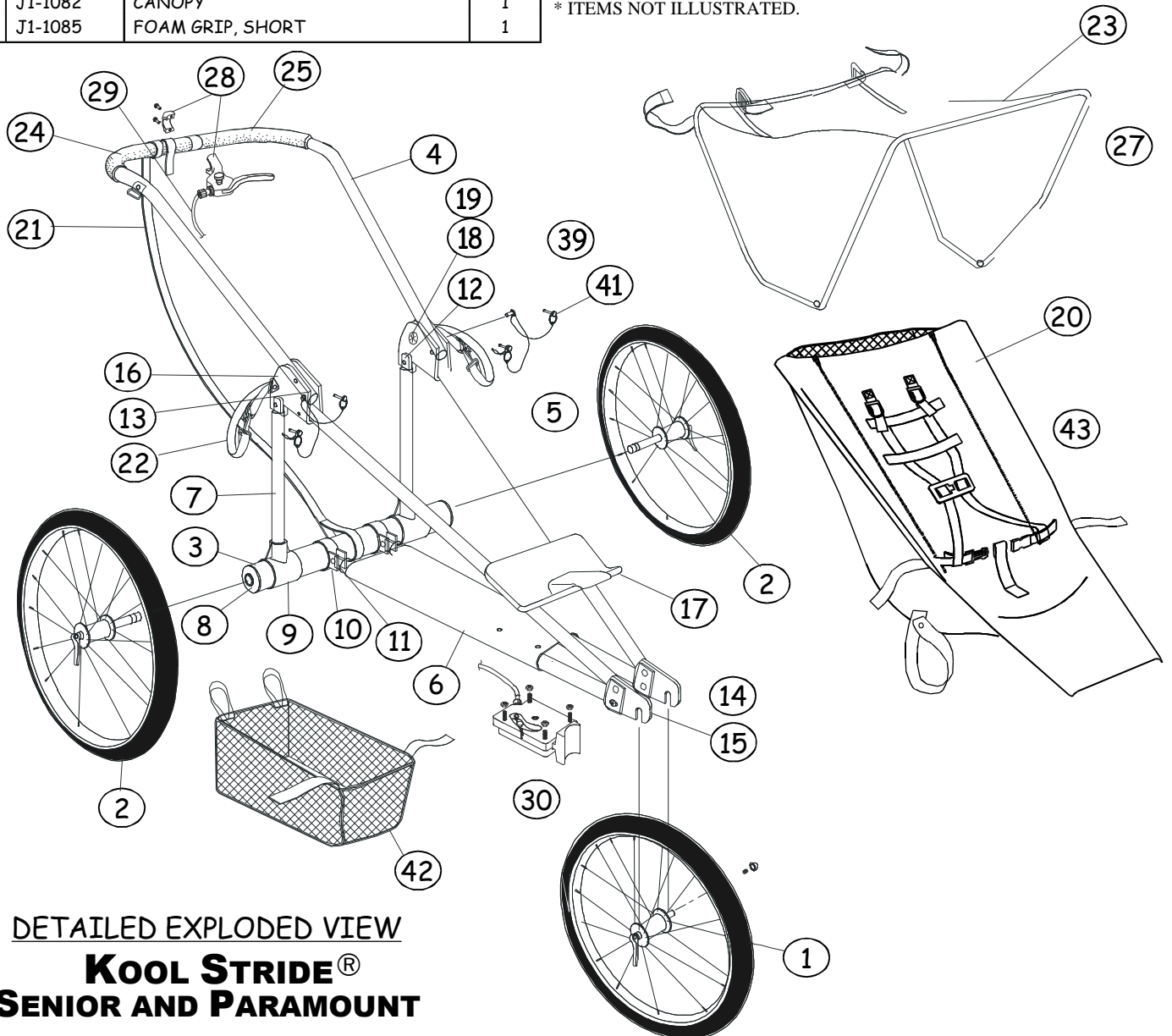
FIG.21**Storage and toting instructions**

- Leave seat in place.
- Release the velcro strap on the top of the sun shade before folding the handle down.
- Reverse procedures described on pages 2, 3 & 4.
- Secure all pins in their respective holes.
- Nest rear wheels so that the axles face each other.
- Keep sharp objects away from fabric.

PARTS LIST			
No.	PART NO.	DESCRIPTION	QTY.
1	J1-1010	FRONT WHEEL ASSEMBLY	1
2	J1-1020	REAR WHEEL ASSEMBLY	2
3	J1-1050	AXLE TUBE	1
4	J1-1051	HANDLE BAR TUBE	1
5	J1-1052	TOP TUBES	2
6	J1-1053	BOTTOM EXTRUSION	2
7	J1-1054	UPRIGHT TUBES	2
8	J1-1060	AXLE ENDS	2
9	J1-1061	AXLE TO UPRIGHT CONNECTOR	2
10	J1-1062	AXLE TO BOTTOM TUBE CONNECTOR	2
11	J1-1063	STRAIGHT EYE ENDS	2
12	J1-1064	ANGLED EYE ENDS	2
13	J1-1065	HANDLE EYE ENDS	2
14	J1-1066L	FORK TIP, LEFT	1
15	J1-1066R	FORK TIP, RIGHT	1
16	J1-1067	HINGES	2
17	J1-1068	FOOT PLATE	1
18	J1-1070	CANOPY RATCHET	2
19	J1-1071	RATCHET SPRING	2
20	J1-1080	SEAT	1
21	J1-1081	LEASH-WRIST STRAP	1
22	J1-1087	PARKING BRAKE STRAP	1
23	J1-1082	CANOPY	1
24	J1-1085	FOAM GRIP, SHORT	1

PARTS LIST			
No.	PART NO.	DESCRIPTION	QTY.
25	J1-1086	FOAM FRIP. LONG	1
26	J1-1088*	HANDLE BAR END PLUG*	2
27	J1-1090	CANOPY FRAME, WIRE	1
28	J1-1100	BRAKE LEVER ASSEMBLY	1
29	J1-1101	BRAKE CABLE	1
30	J1-1102	BRAKE CALIPER ASSEMBLY	1
31	J1-1209*	BOLT, M6X60MM, PAN HEAD, BLACK	2
32	J1-1210*	BOLT, M6X38MM, PAN HEAD, BLACK	2
33	J1-1211*	BOLT, 1/4-20x27MM, W/10MM OF THRS UCP	4
34	J1-1212*	BOLT, M5x30MM, ROUND HEAD, BLACK	2
35	J1-1215*	NUT, M6 NYLOCK, BLACK	4
36	J1-1216*	NUT, 1/4-20 NYLOCK, 7/16" HEX CUP	4
37	J1-1217*	NUT, M5 NYLOCK, BLACK	2
38	J1-1219*	FLAT WASHER, 6MMx16MM, UCP	2
39	J1-1220	BALL PIN2	2
40	J1-1221*	BALL PIN CABLE	2
41	J1-1224	SNAPPER PIN, 6MMx30MM,CUP	2
42	KS-MWB	BASKET	1
43	J1-1230	SHOULDER STRAP CLIP	1

* ITEMS NOT ILLUSTRATED.



DETAILED EXPLODED VIEW

KOOL STRIDE®
SENIOR AND PARAMOUNT

WARNING!

- DO NOT USE THIS STROLLER UNDER DARK CONDITIONS. THERE ARE NO REFLECTORS OR LIGHTS INSTALLED TO ENABLE YOU TO SEE HAZARDS, OR OTHERS TO SEE THE STROLLER.
- (MAXIMUM WEIGHT LIMIT IS 85 LBS.) Never hang items from the handle, it can cause the stroller to tip backwards and injure the passenger!
- IMPORTANT... Although a helmet for the passenger is not required, it is a good idea, to put a helmet on the passenger when jogging with stroller.

KOOL-STRIDE ACCESSORIES

KS-RC	WIND/RAIN SHIELD WITH CLEAR PVC WINDOW AND FABRIC.-----	\$25.00 MSRP*
KS-MWB	MESH WEDGE BAG (BLACK)-----	\$19.00 MSRP*
KS-DWB	DELUXE WEDGE BAG WITH SHOULDER STRAPS (BLACK)-----	\$40.00 MSRP*
KS-TCB	DELUXE TRAVEL AND CARRY BAG (BLACK)-----	\$87.00 MSRP*
KS-BUG	SHADE AND BUG SCREEN COVER (BLACK)-----	\$25.00 MSRP*

* MANUFACTURERS SUGGESTED RETAIL PRICES SUBJECT TO CHANGE WITHOUT NOTICE.

KOOL-STRIDE 10 YEAR LIMITED WARRANTY

KOOL STOP INTERNATIONAL, INC. warrants this product to be free of defects in workmanship and material for 10 years (with the exception of all fabric components, which shall be warranted for a period of one year.) under normal use and service following date of purchase and delivery to the original customer. The warranty does not cover wheels and tires.

This warranty will not apply to damages arising from neglect, accidental or intentional damage, institutional or commercial use, or misuse of the product.

Repairs or replacement under this warranty shall be made by KOOL STOP INTERNATIONAL, INC. or through an authorized KOOL STOP INTERNATIONAL, INC. dealer without charge to the customer.

If the dealer or factory representative finds return necessary, packing and shipping cost to the factory will be prepaid by the customer. KOOL STOP INTERNATIONAL, INC. will, at its sole option, repair or replace the product and ship it (or one of equivalent type and quality if exact replacement is unavailable) to the dealer authorizing the return.

Expressly excluded by this warranty is liability for consequential property or commercial damages. THIS IS A LIMITED WARRANTY.

Information in this manual is subject to change without notice.

©2000 KOOL-STOP INTERNATIONAL, INC. All rights reserved. No part of this OWNER'S MANUAL and ASSEMBLY INSTRUCTIONS publication may be reproduced, transmitted, transcribed, stored in a retrieval system, or translated into any languages in any form, by any means, without written permission of KOOL-STOP INTERNATIONAL, INC.

Designed and Imported By:
KOOL-STOP INTERNATIONAL, INC.
17150 S.W. Boones Ferry Rd.
Lake Oswego, OR. 97035

Sales Office:
KOOL-STOP INTERNATIONAL, INC.
1061 South Cypress St.
La Habra, CA. 90631
(800) 586-3332
Fax: (714) 992-6191

THINK SAFE AND BE SAFE!
Visit the JPMA Web Site at www.jpma.org for the latest and most up-to-date information.

WWW.KOOLSTOP.COM
E-MAIL: KSIPSQC@AOL.COM